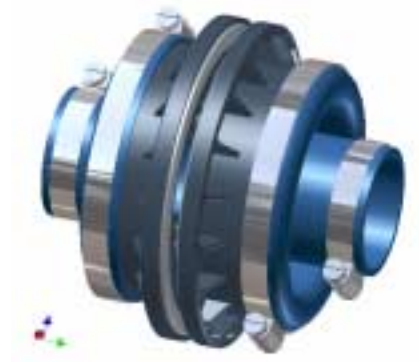




# Kwik Fit Entry Fittings

From Blueline Technologies

Wednesday, March 31, 2004



Wednesday, April 21,  
2004

Confidential Patents Pending



## Patents and Confidentiality

- The following designs and associated IP are the sole property of Blueline Technologies
- These designs are unique and have patents pending

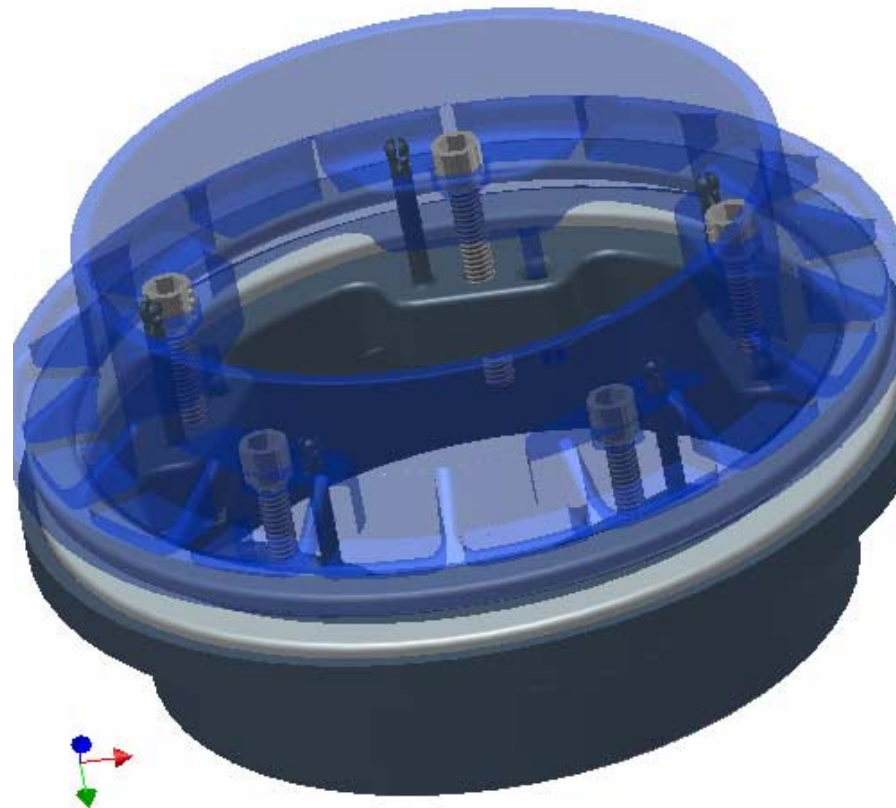


# KWIK FIT DESIGN OBJECTIVES

- Simplify installation
- Semi rigid, tough, durable, housing construction and UL Pellethane® flexible boots
- Speed up installation
- Simplify fitting sizes and choice
- Provide single and double sided options
- Remove external bolts through flange
- Remove need to screw new holes through the sump
- Nonmetallic boots
- Economically priced
- Provide flex features for sideways and lateral movement
- Provide maximum mechanical flange torque for total seal

# Rigid Housings

Kwik-Fit Entry Kit



Wednesday, April 21,  
2004

Confidential Patents Pending

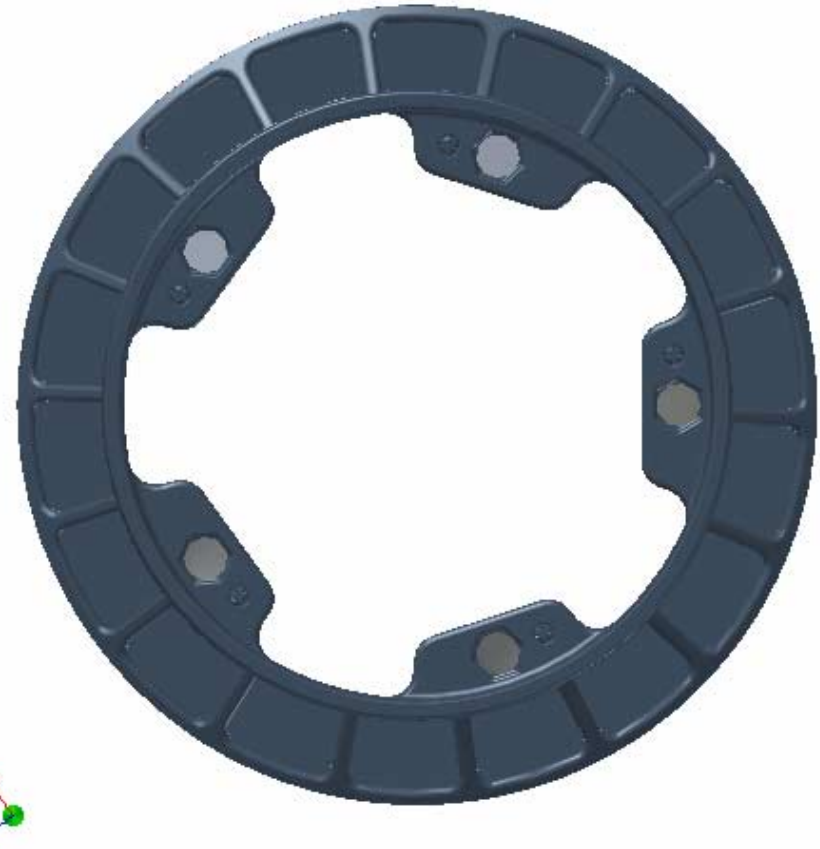


## 3 Sizes of Universal Housing

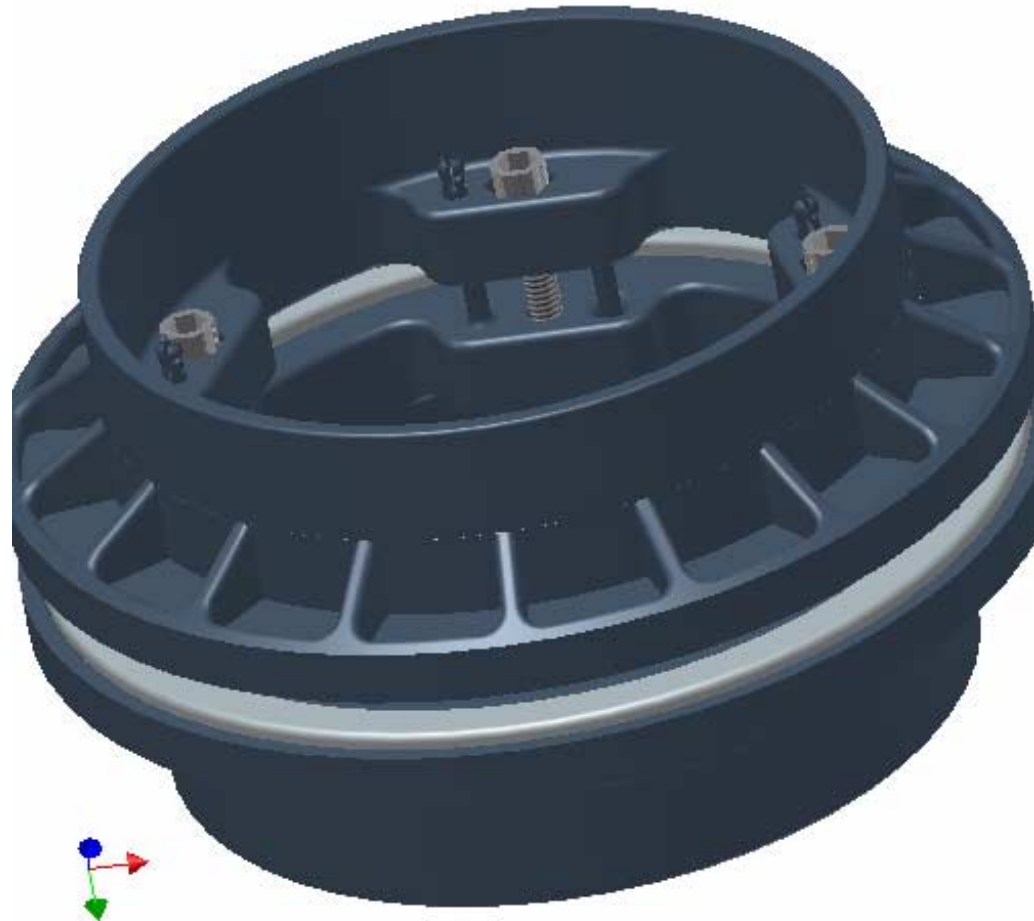
- Conduit (1/2" to 1.5")
- Medium Housing 2" to 3.7" (50mm to 90mm)
- Large Housing 3.7 to 5.5" (90mm to 140mm)

*Note: All housings fit neatly within the dimensions of a flat sided sump's panel*

Flange and internal bolt paths



Locating pins and bolts

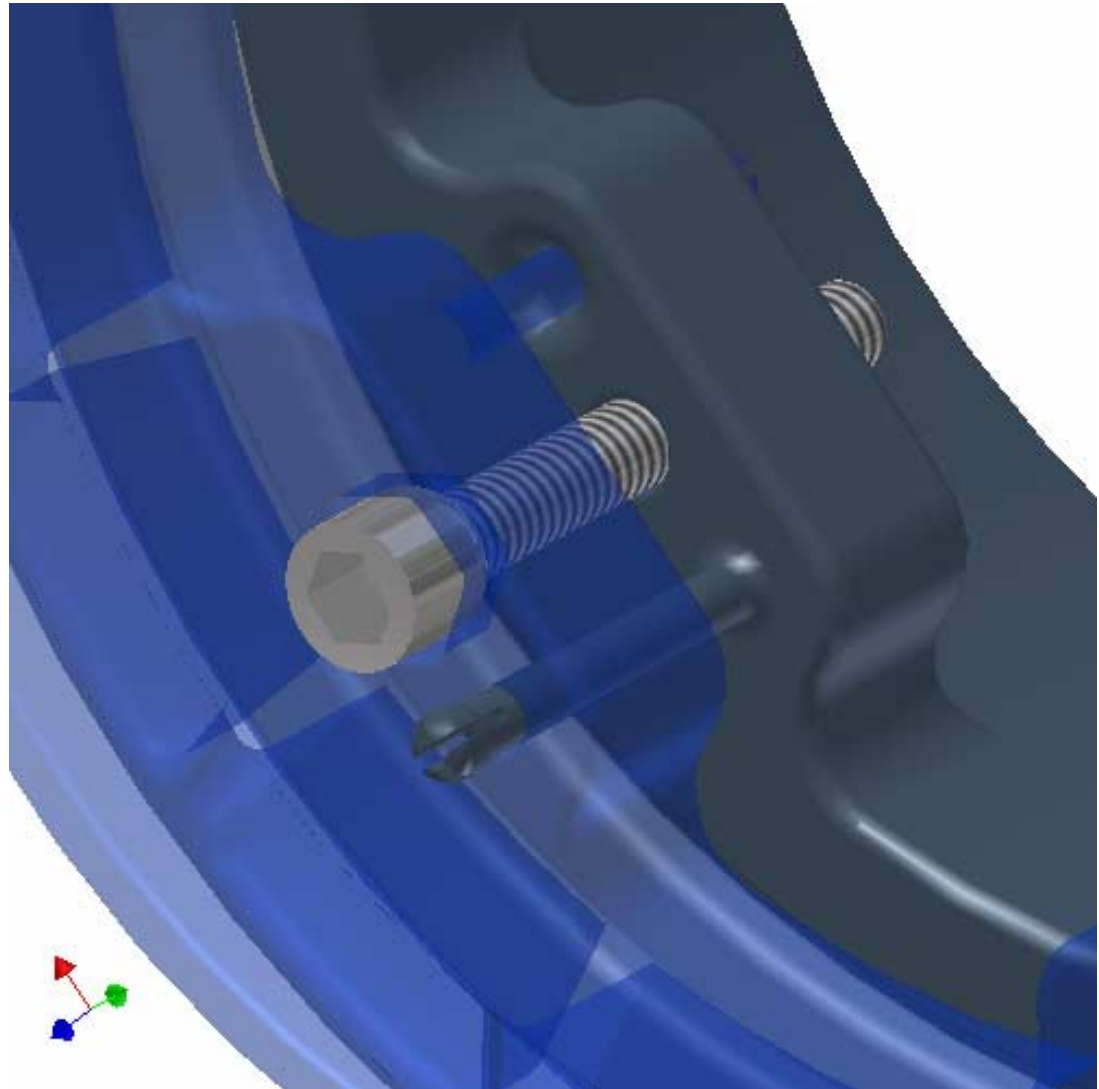


Wednesday, April 21,  
2004

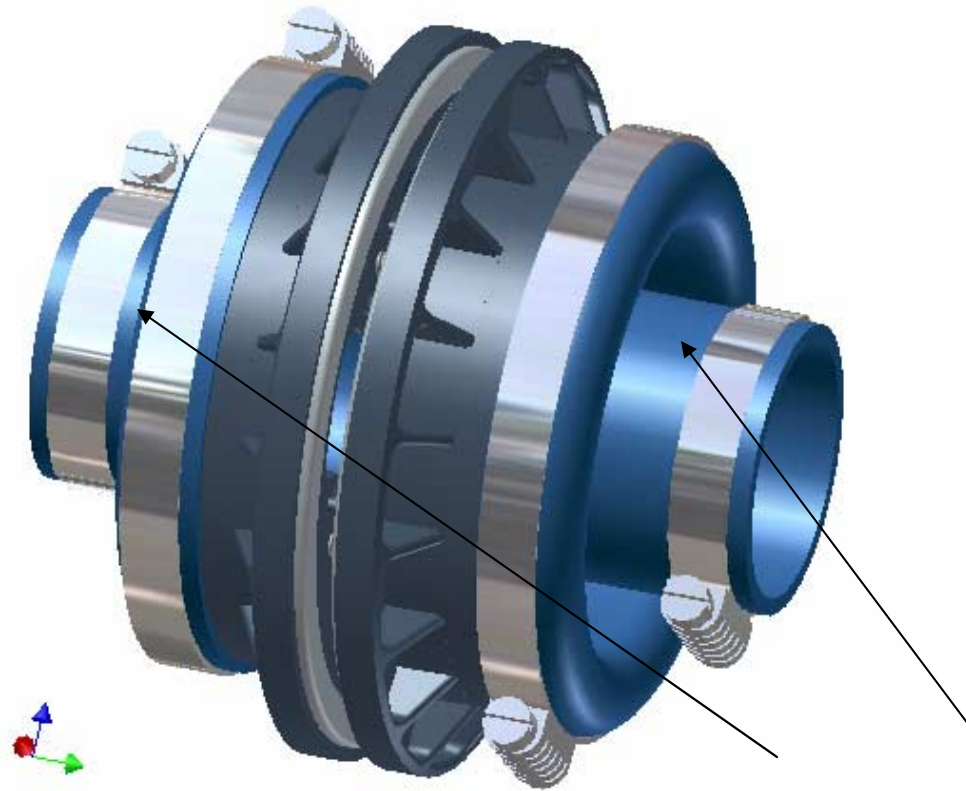
Confidential Patents Pending

Locating pins and bolts  
Close up

Pins lock neatly together  
And pull through the  
Sump pipe hole



Single or double boot option



Housing shown with double boot

## Head on view

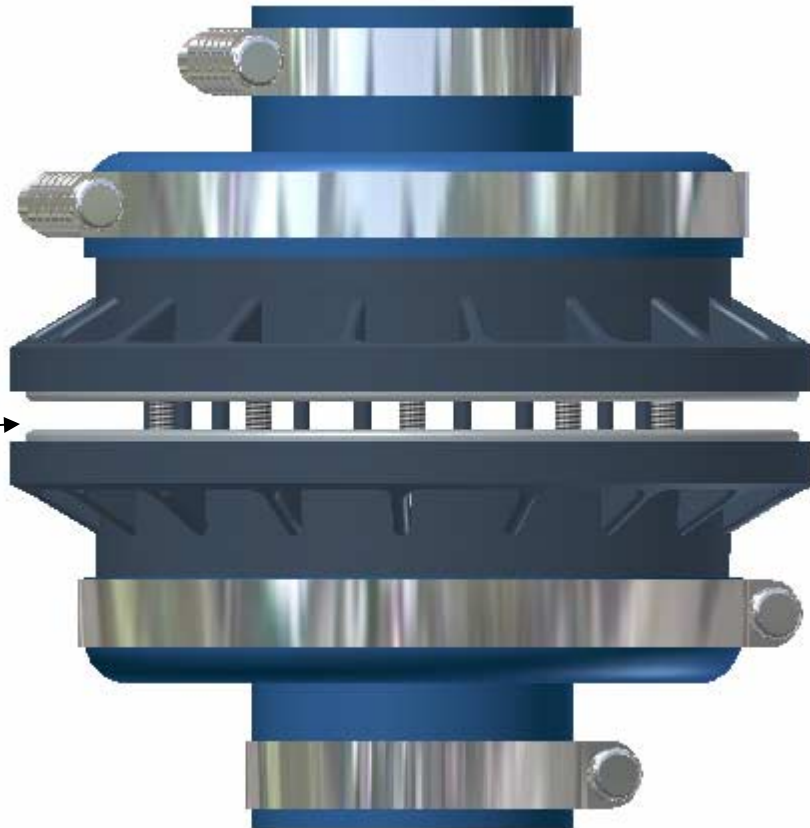


Without boot

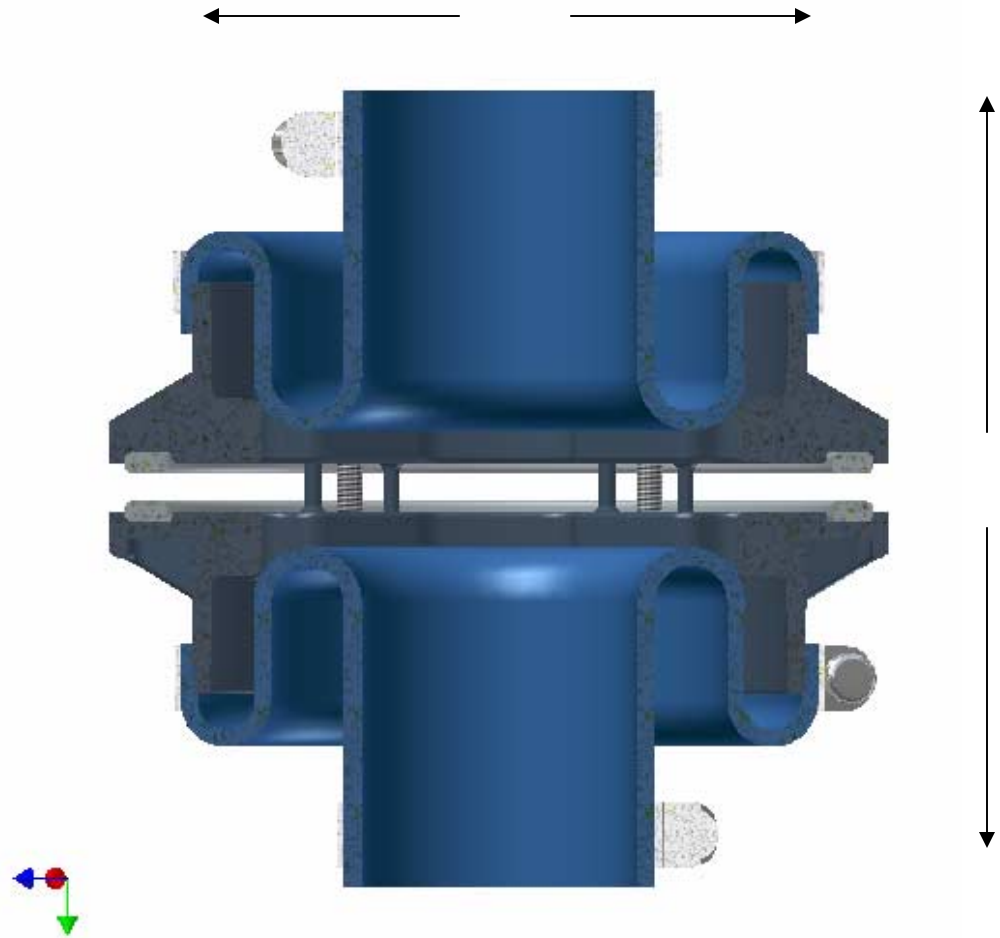


With boot

Double UL Pellethane  
gasket

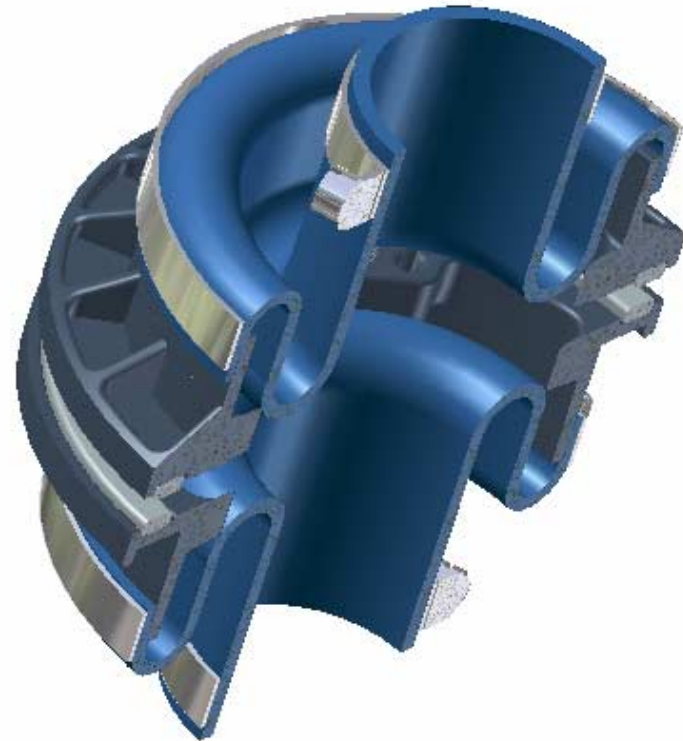


Reverse flex feature  
For angled entries,  
And lateral movement



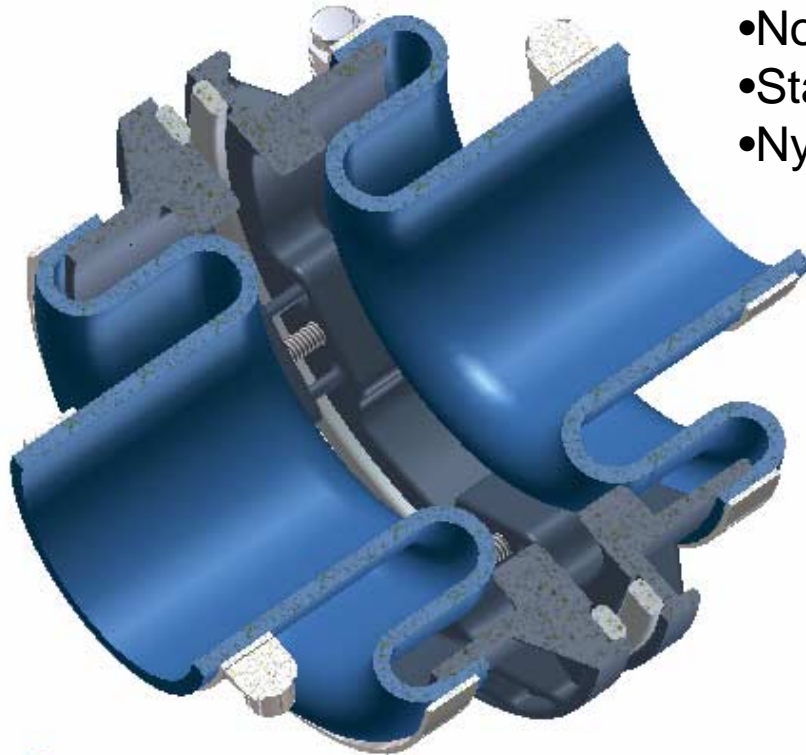


Depending on the pipe OD  
Angles of up to 30 degrees  
And lateral movement of  
Up to 3" are easily accommodated



Wednesday, April 21,  
2004

Confidential Patents Pending

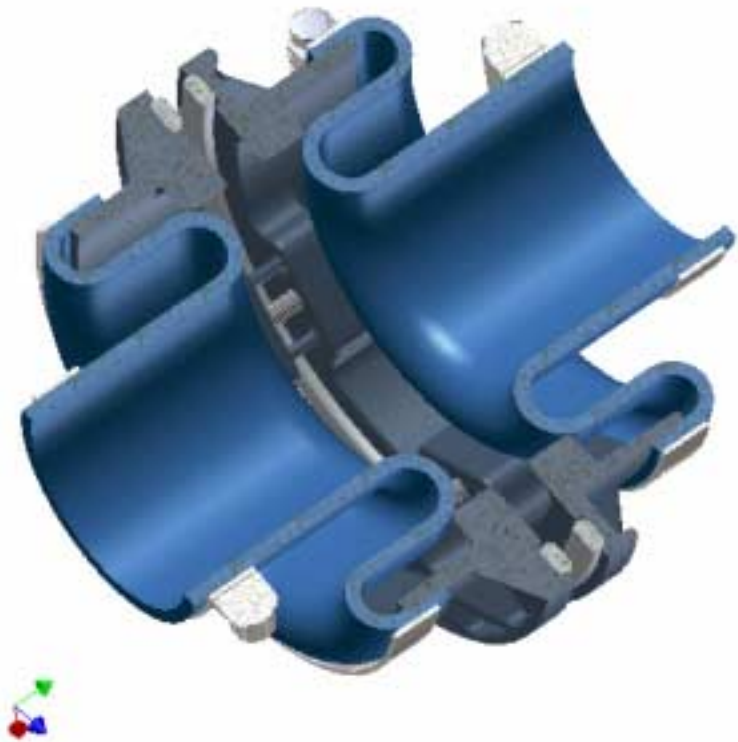


- No exposed Metal
- Stainless Allan head Bolts inside fitting
- Nylon clamps available



## Flex Reducer Boots

- Made from our UL Pellethane®
- Total flex features for angled entry AND lateral movement
- All market pipe sizes covered
- Can be split and re-bonded so usable in the future as a repair boot.
- Can be made in almost any color





# Available Boot Sizes

Housing	UK/Europe Pipe	US Flex and fiberglass pipe
	mm	inches
<b>Small</b>	22mm	1/2 & 3/4" conduit
		25 1" conduit
		32 1.26
		35 1.4"
		40 1.6"
<b>Medium</b>		50 2.0"
		63 2.5"
		68 2.7"
		75 3.0"
		90 3.55"
		96 3.75"
<b>Large</b>		110 4.33"
		115 4.5"
		122 4.8"X 2.0"
		122 4.8"X 2.7"
		125 5.0"

Wednesday, April 21,  
2004

Confidential Patents Pending



## **Availability**

- All products available 15th June 2004
- Lead times 2 weeks plus shipping
- Special boot sizes customized for free (minimum quantity required)