
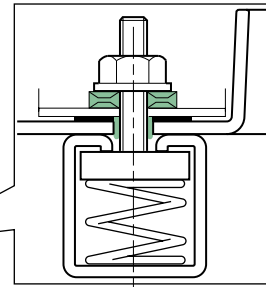


Dispenser Support Rail
 Shear Valve Support Rail

Notes:	Category: DISPENSER SUMPS		 FIBRELITE
	Product Description: Excel testable dispenser sump. (Double Wall) 46" x 26" x 32" deep.		
For reference puposes only. This drawing is not a specification.	Drawing No.: 26023	Product Code: EL46-26/DW	
	Date: April 2004	Revisions:	



EL46-26/RSEAL x 4

EL46-26/PNUT
 EL46-26/PWASH x 4

PLATFORM WITH TOP
 EDGE FRAME (TEF) & P/SEAL

DISPENSER STUDS x 4
 EL46-26/PSCREW
 EL46-26/CSN x 4

DISPENSER RAIL x 2
 EL46-26/DR

SHEAR VALVE RAIL
 EL46-26/SVR

EL46-26/DRSCREW x 4
 EL46-26/DRWASH x 4

EL46-26/SVR/SCREW x 4
 EL46-26/SVR/WASH x 4
 EL46-26/DR/CSN x 4

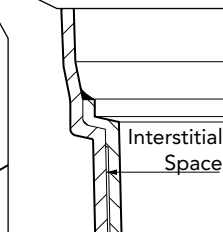
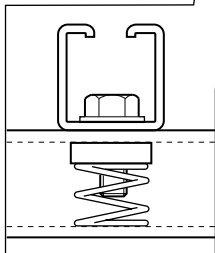
EL46-26/DR/CSN x 4

END SUPPORT RAIL
 EL46-26/ESR x 2

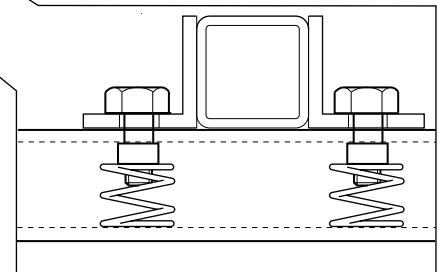
DISPENSER SUMP
 EL46-26/SUMP

DOUBLE WALL INSERT
 EL46-26/DWL

CONCRETE TIE RODS x 4
 EL46-26/UBOLT



DETAIL OF BONDED
 SUMP WALL



Notes:

Category: **DISPENSER SUMPS**

Product Description: Excel testable dispenser sump. (Double Wall)
 46" x 26" x 32" deep.

For reference puposes only.
 This drawing is not a specification.

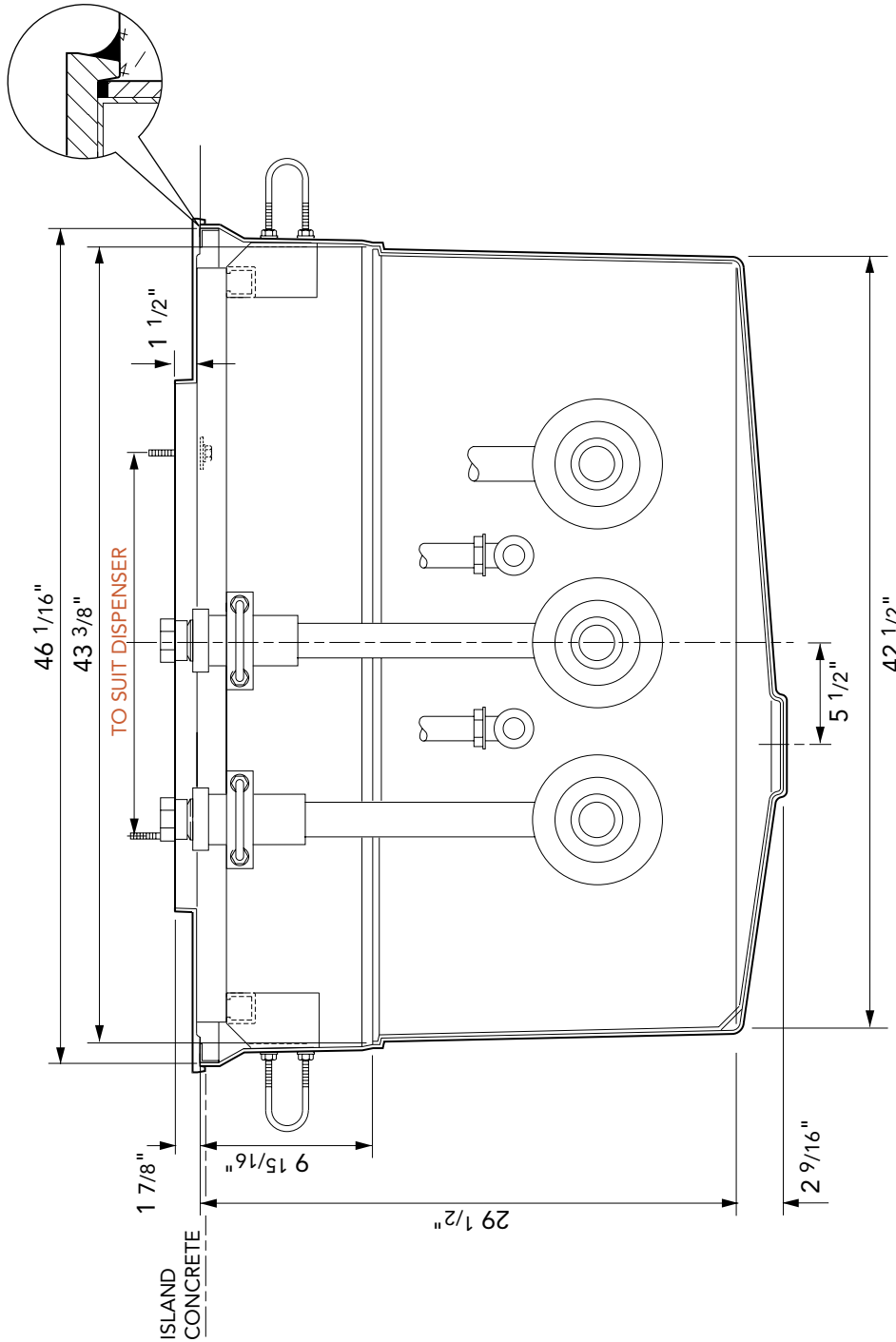
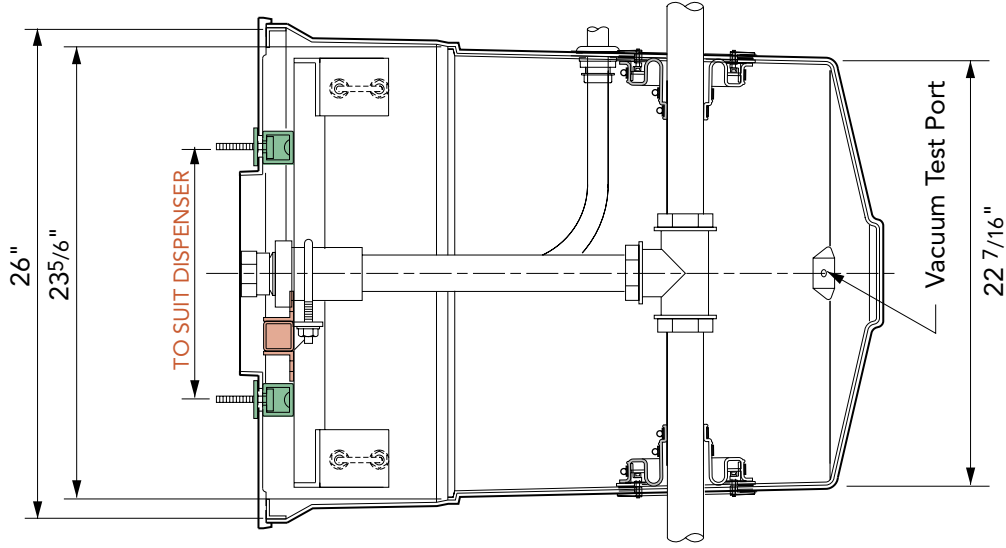
Drawing No.: **26024**

Product Code: **EL46-26/DW**

Date: **April 2004**

Revisions:





- Dispenser Support Rail
- Shear Valve Support Rail

Category: **DISPENSER SUMPS**

Product Description: Excel testable dispenser sump. (Double Wall)
 46" x 26" x 32" deep.

Product Code: **EL46-26/DW**

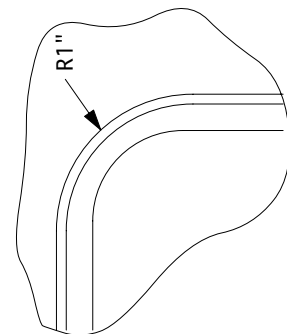
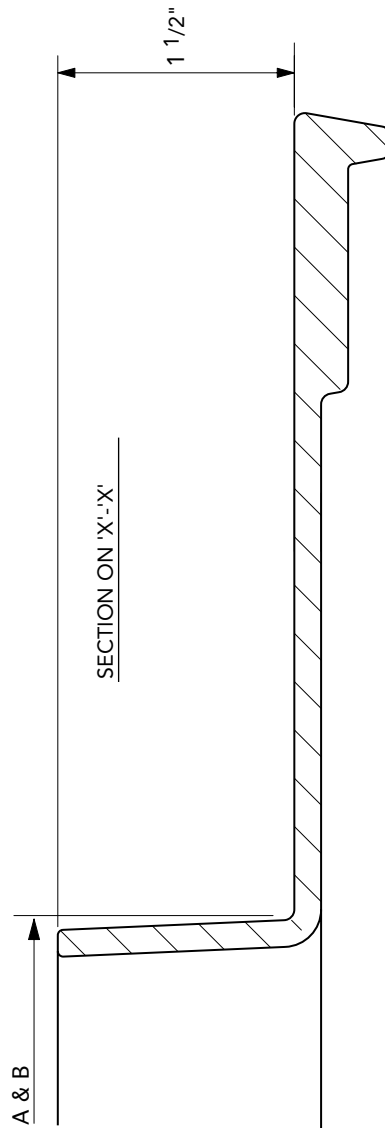
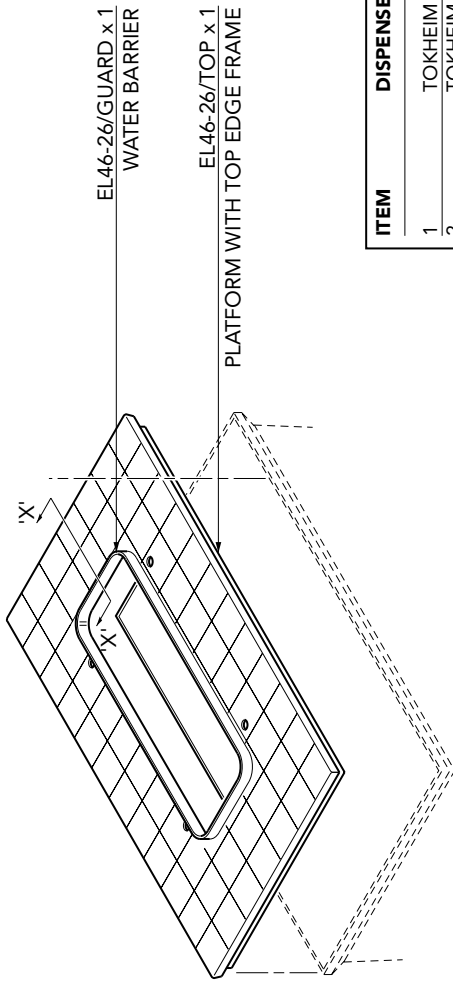
Revisions:

Drawing No.: **26025**

Date: **April 2004**

Notes:

For reference purposes only.
 This drawing is not a specification.



ITEM	DISPENSER SUMP TYPE	'A' - Length	'B' - Width
1	TOKHEIM 400 SERIES	40 1/2"	17 1/4"
2	TOKHEIM 300 SERIES	25 7/8"	17 1/4"
3	GILBARCO (ENCORE)	36"	17 1/8"
4	GILBARCO (1642 ADVANTAGE)	41 1/4"	15 1/2"
5	GILBARCO (MPD 3)	35 1/2"	9 1/2"
6	DRESSER WAYNE (390, 395, 490, 595)	41 1/2"	11"
7	GASBOY 9152/3Q TWI	22 3/4"	12 1/2"
8	DRESSER WAYNE OVATION	42 1/2"	14 5/8"

Notes:

For reference purposes only.
 This drawing is not a specification.

Category: **DISPENSER SUMPS**

Product Description: Excel testable dispenser sump. (Double Wall)
 46" x 26" x 32" deep.

Drawing No.: **26026**

Product Code: **EL46-26/DW**

Date: **April 2004**

Revisions:

