
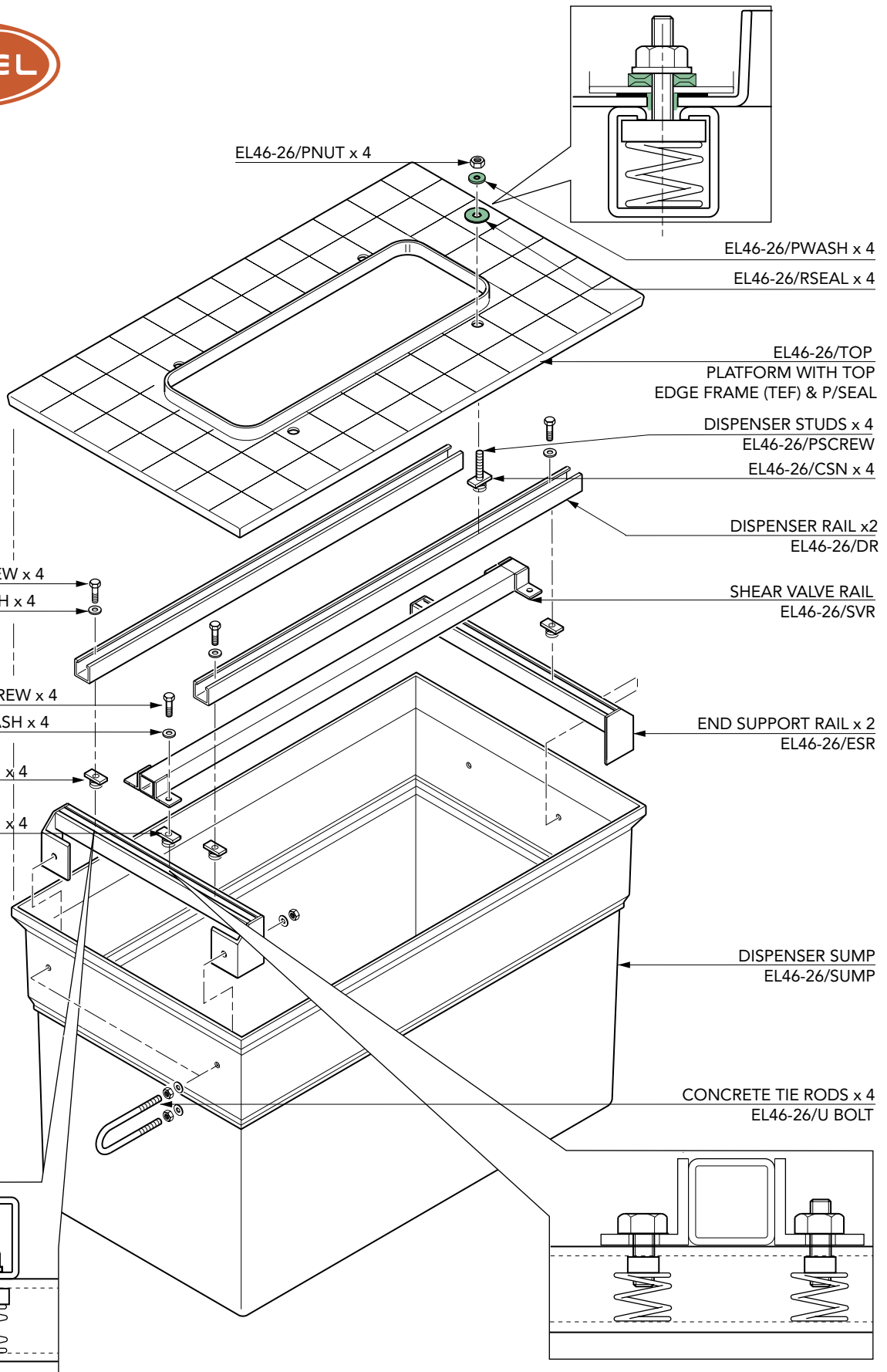


- Dispenser Support Rail
- Shear Valve Support Rail

Notes:	Category: DISPENSER SUMPS		 FIBRELITE
	Product Description: Excel testable dispenser sump. (Single Wall) 46" x 26" x 32" deep.		
For reference puposes only. This drawing is not a specification.	Drawing No.: 26027	Product Code: EL46-26	
	Date: April 2004	Revisions:	



Notes:

Category: **DISPENSER SUMPS**

Product Description: Excel testable dispenser sump. (Single Wall)
 46" x 26" x 32" deep.

For reference puposes only.
 This drawing is not a specification.

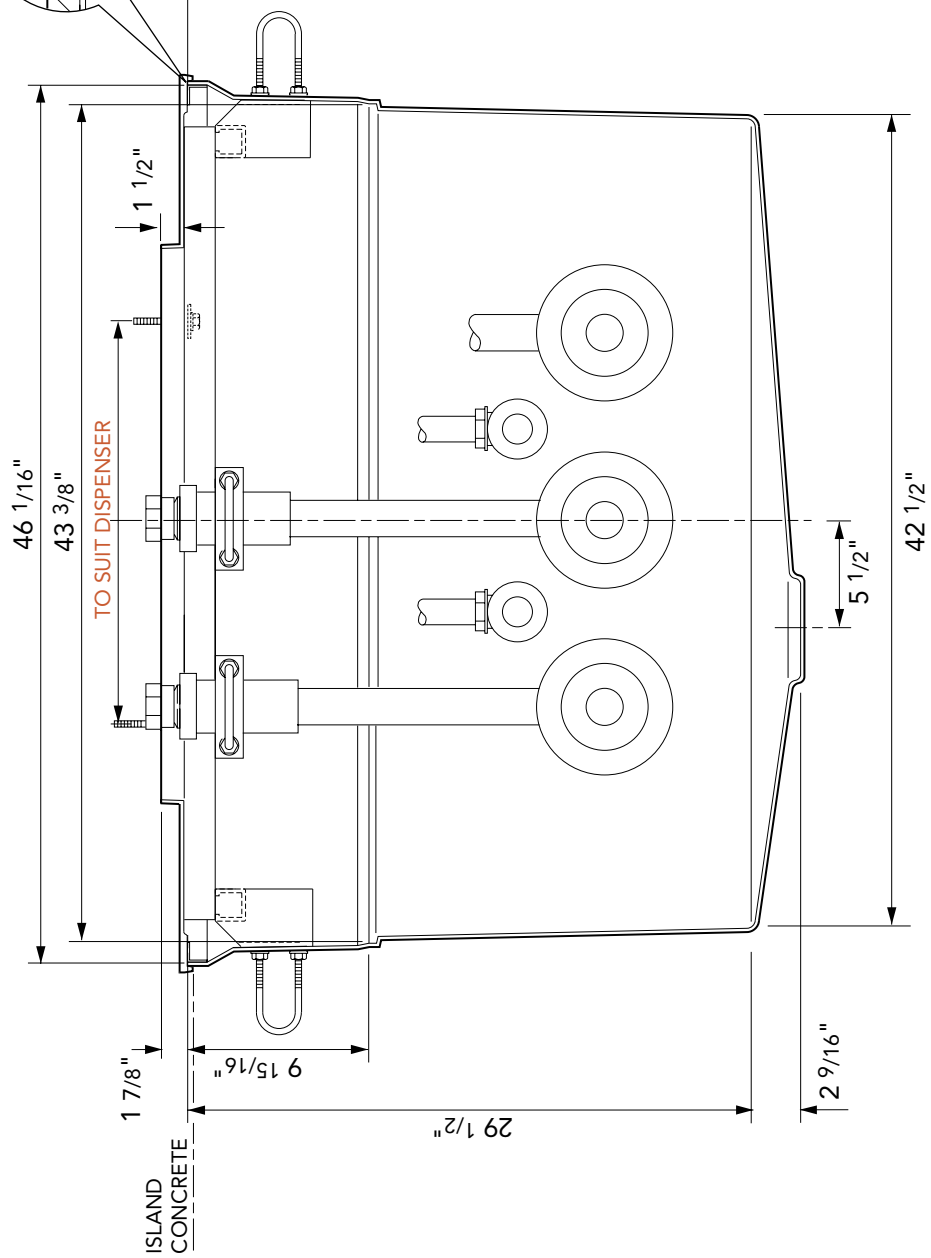
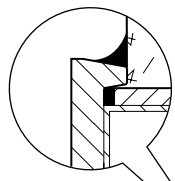
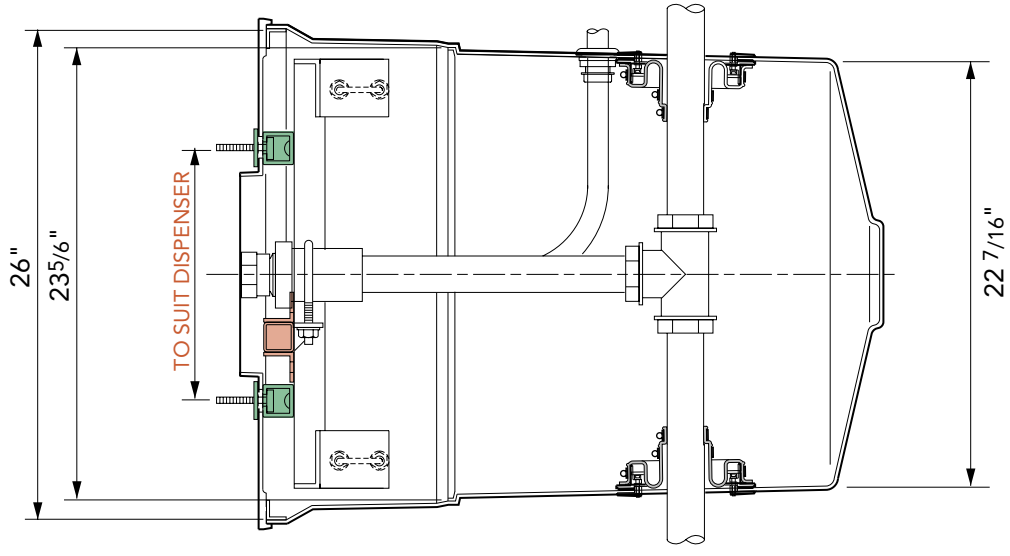
Drawing No.: **26028**

Product Code: **EL46-26**

Date: **April 2004**

Revisions:





- Dispenser Support Rail
- Shear Valve Support Rail

Notes:

For reference purposes only.
 This drawing is not a specification.

Category: DISPENSER SUMPS

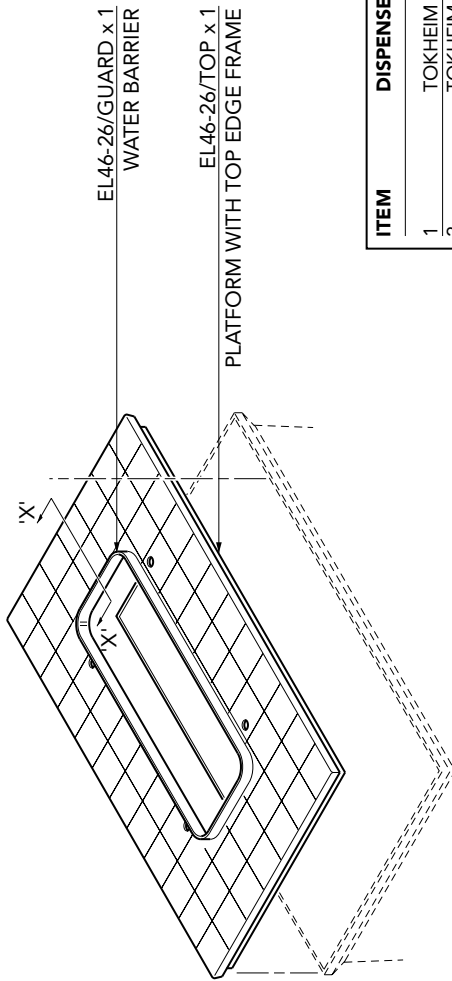
Product Description: Excel testable dispenser sump. (Single Wall)
 46" x 26" x 32" deep.

Drawing No.: 26029

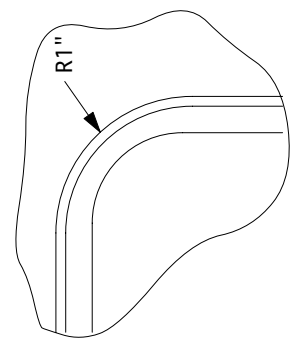
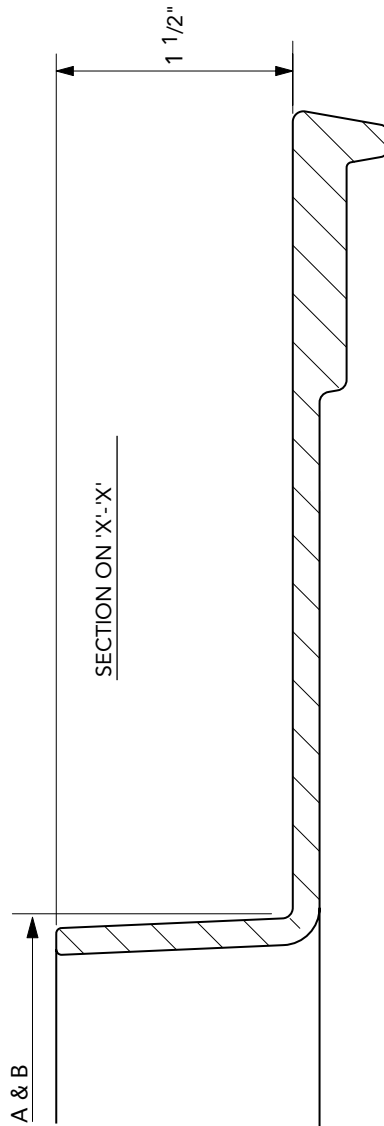
Date: April 2004

Product Code: EL46-26

Revisions:



ITEM	DISPENSER SUMP TYPE	'A' - Length	'B' - Width
1	TOKHEIM 400 SERIES	40 1/2"	17 1/4"
2	TOKHEIM 300 SERIES	25 7/8"	17 1/4"
3	GILBARCO (ENCORE)	36"	17 1/8"
4	GILBARCO (1642 ADVANTAGE)	41 1/4"	15 1/2"
5	GILBARCO (MPD 3)	35 1/2"	9 1/2"
6	DRESSER WAYNE (390, 395, 490, 595)	41 1/2"	11"
7	GASBOY 9152/30.TWI	22 3/4"	12 1/2"
8	DRESSER WAYNE OVATION	42 1/2"	14 5/8"



Notes:

For reference purposes only.
 This drawing is not a specification.

Category: DISPENSER SUMPS

Product Excel testable dispenser sump. (Single Wall)
Description: 46" x 26" x 32" deep.

Drawing No.: 26030

Product Code: EL46-26

Date: April 2004

Revisions:

