

Category: **ACCESS COVER AND FRAME**

Product Description: 40" dia. Watertight flat sealed composite cover and frame, with removable offset fill cap (10" dia.)

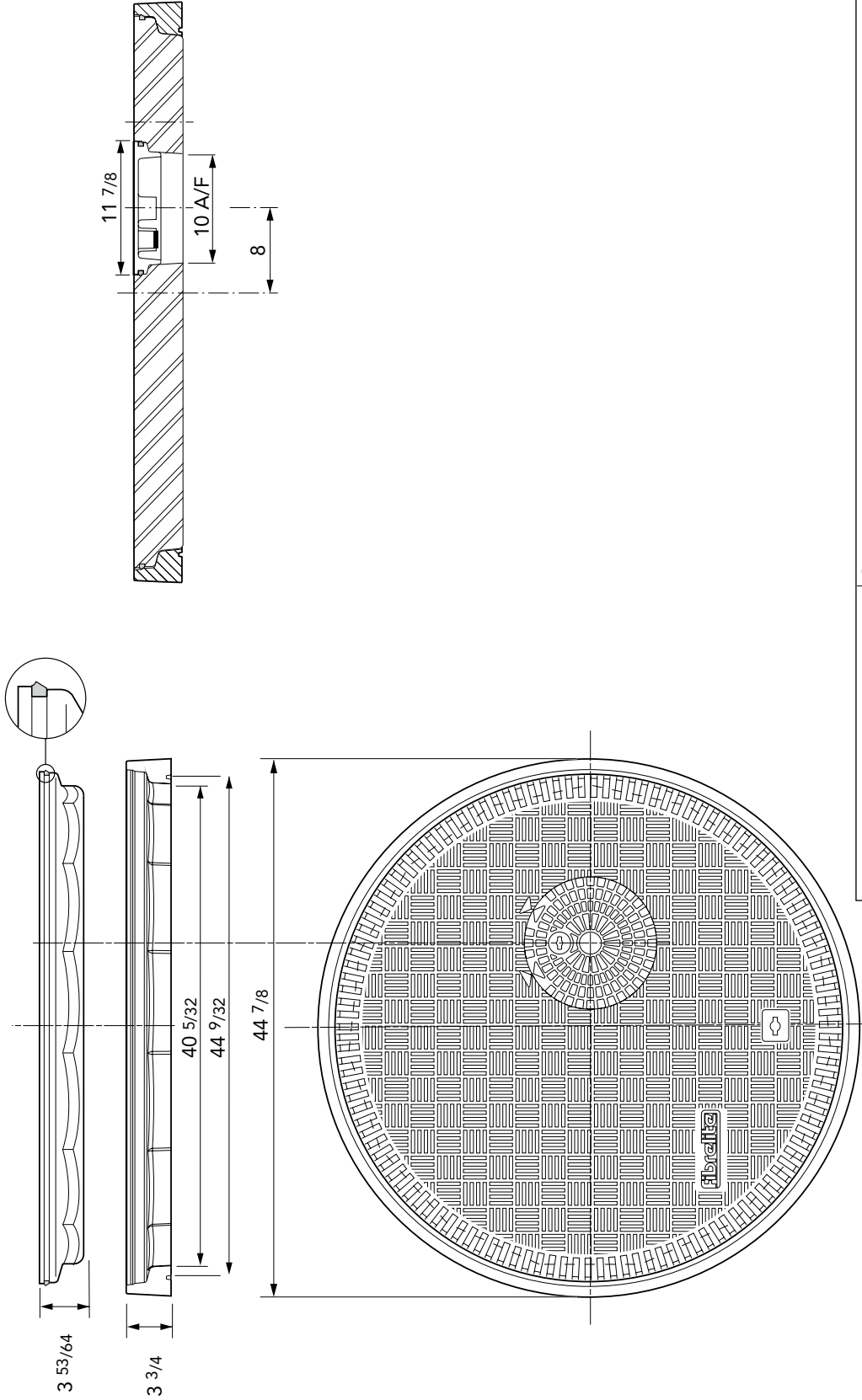
Drawing No.: **US13100** Product Code: **FL100/OF**

Date: **25/5/05** Revisions:

Notes:

For reference purposes only.
This drawing is not a specification.

standard plus



Category: **ACCESS COVER AND FRAME**

Product Description: 40" dia. Watertight flat sealed composite cover and frame, with removable offset fill cap (10" dia.)

Drawing No.: **US13101** Product Code: **FL100/OF**

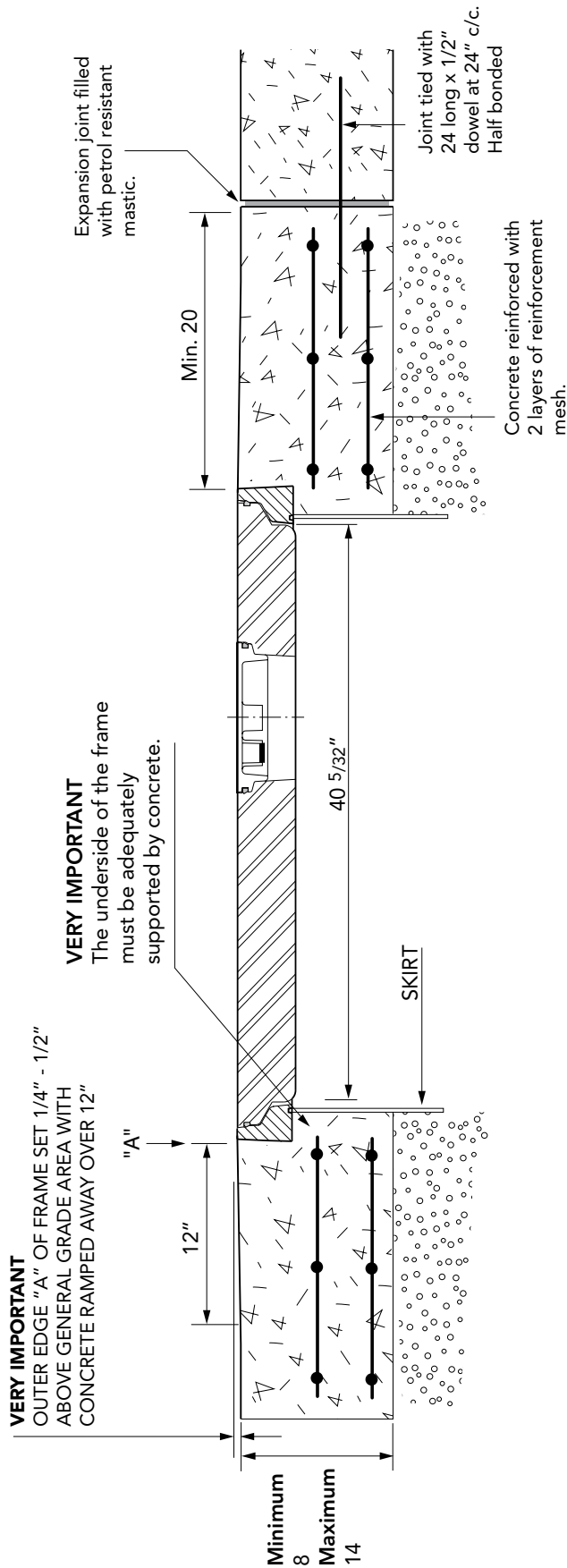
Date: **25/5/05** Revisions:

Notes:

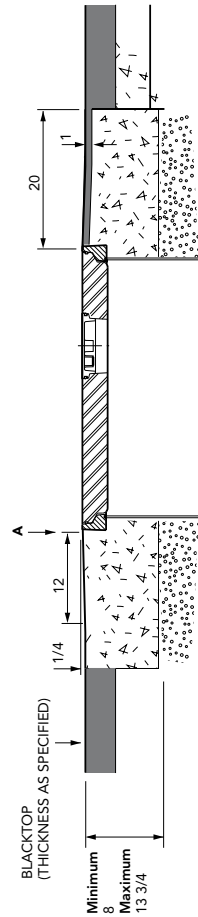
For reference purposes only.
 This drawing is not a specification.



CONCRETE



BLACKTOP



BLACKTOP



PEA GRAVEL



Category: **ACCESS COVER AND FRAME**

Product Description: 40" dia. Watertight flat sealed composite cover and frame, with removable offset fill cap (10" dia.)

Drawing No.: **US13102** Product Code: **FL100/OF**

Date: **25/5/05** Revisons:

Notes:

For reference puposes only.
 This drawing is not a specification.

