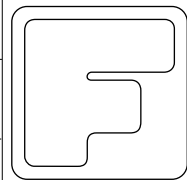
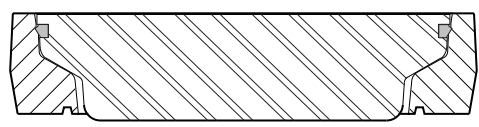
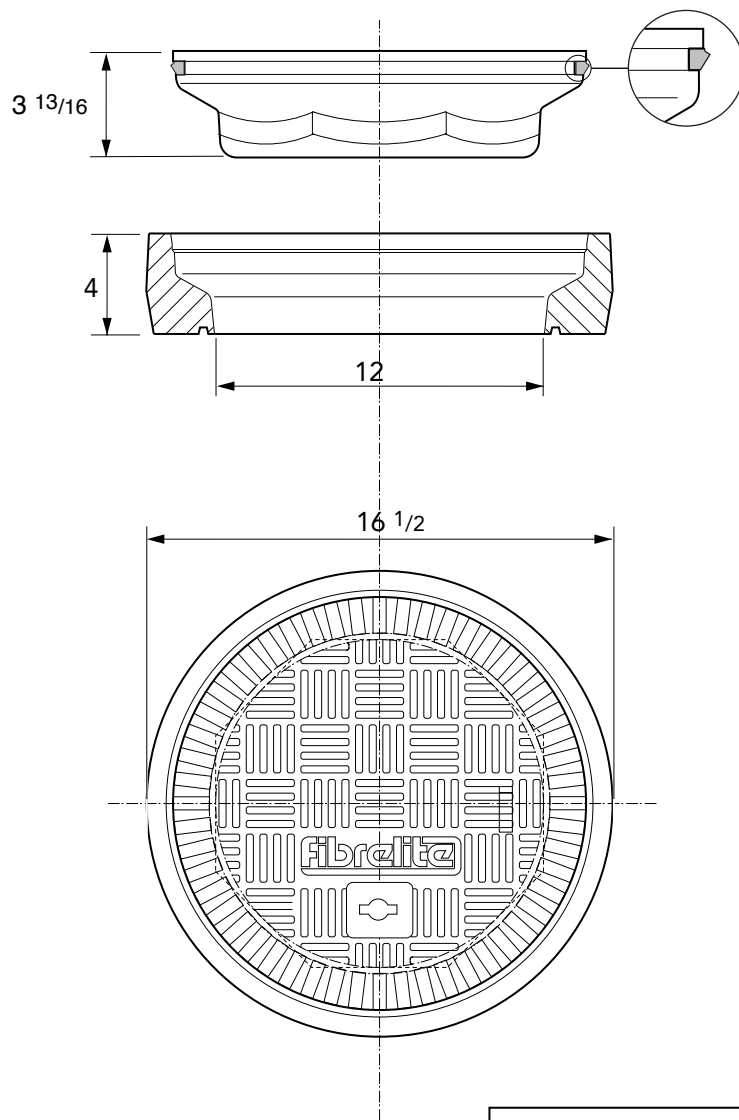


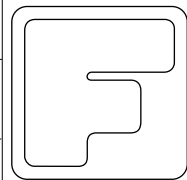
Notes:	Category: ACCESS COVER & FRAME - SEALED	
	Product Description: <i>FL120 - 12" diameter flat sealed composite cover with a composite frame.</i>	
For reference purposes only. This drawing is not a specification.	Drawing No: US13121	Product Code FL120
	Date: Mar 2004	Revisions: 0



FIBRELITE



Notes:	Category: ACCESS COVER & FRAME - SEALED	
	Product Description: FL120 - 12" diameter flat sealed composite cover with a composite frame.	
For reference purposes only. This drawing is not a specification.	Drawing No: US13121	Product Code: FL120
	Date: Mar 2004	Revisions: 0



FIBRELITE

