

Notes:

Category: **CHAMBER SYSTEMS**

Product Description: **FL450 with skirt for standard burial & containment.**

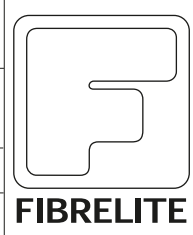
For reference purposes only.
 This drawing is not a specification.

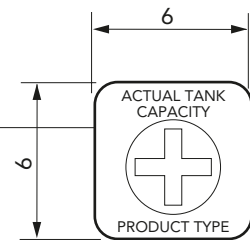
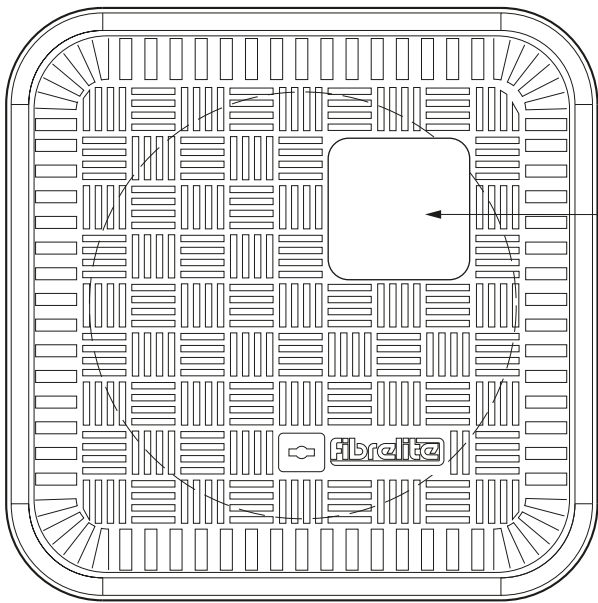
Drawing No: **US14147**

Date: **Nov 2003**

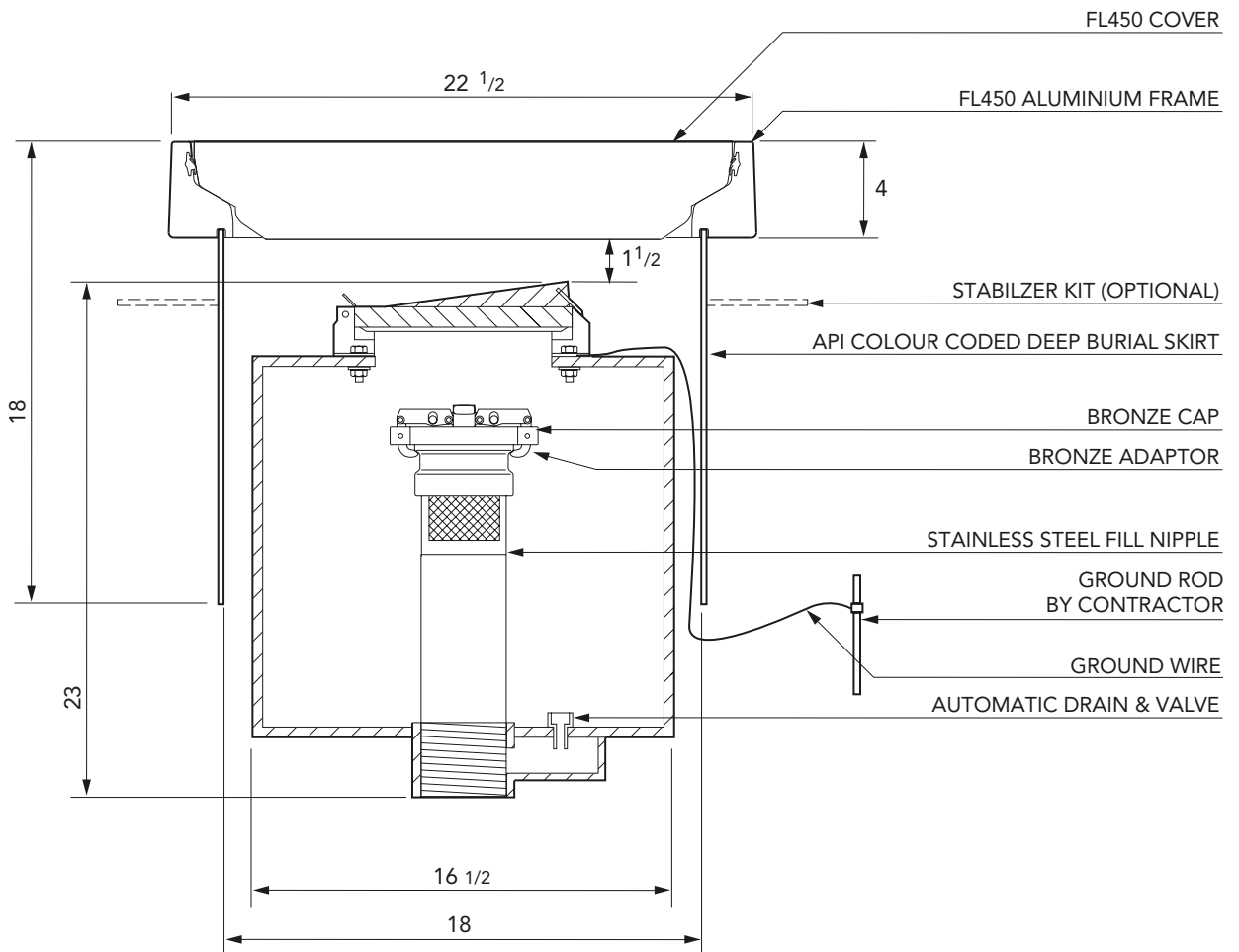
Product Code **FL450-SK-1227**

Revisions: **0**





AMERICAN PETROLEUM INSTITUTE
 PRODUCT IDENTIFICATION LABEL



Notes:

For reference purposes only.
 This drawing is not a specification.

| | | |
|----------------------|--|-----------------------------------|
| Category: | CHAMBER SYSTEMS | |
| Product Description: | FL450 with skirt for standard burial & containment. | |
| Drawing No: | US14147 | Product Code FL450-SK-1227 |
| Date: | Nov 2003 | Revisions: 0 |

