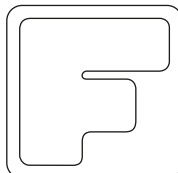
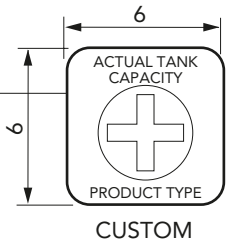
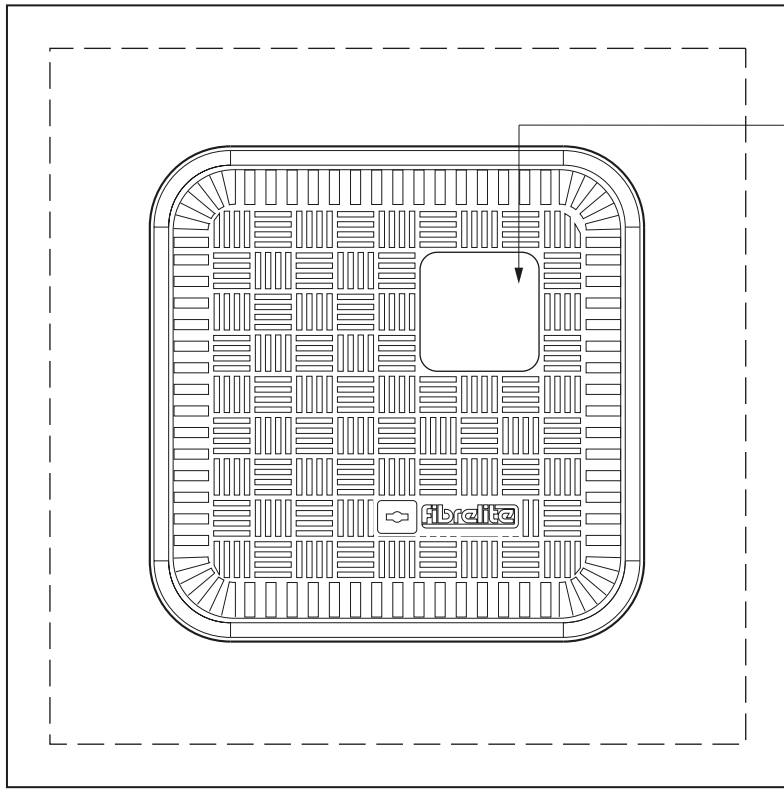
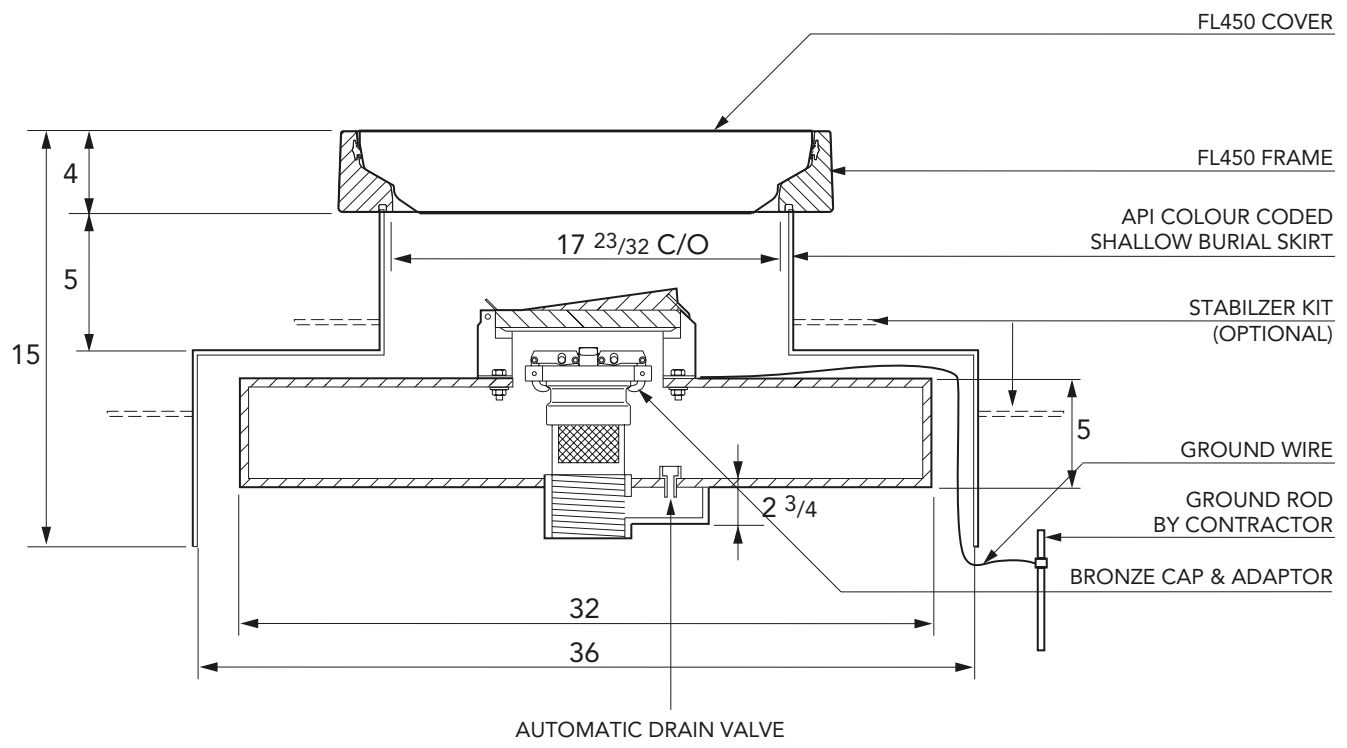


<b>Notes:</b>	Category: <b>CHAMBER SYSTEMS</b>		 <b>FIBRELITE</b>
	Product Description: <b>FL450 with skirt for shallow burial containment.</b>		
For reference purposes only. This drawing is not a specification.	Drawing No: <b>US14151</b>	Product Code <b>FL450-SK-1228</b>	
	Date: <b>Nov 2003</b>	Revisions: <b>0</b>	



AMERICAN PETROLEUM INSTITUTE  
 PRODUCT IDENTIFICATION LABEL



**Notes:**

For reference purposes only.  
 This drawing is not a specification.

Category:	<b>CHAMBER SYSTEMS</b>	
Product Description:	<b>FL450 with skirt for shallow burial containment.</b>	
Drawing No:	<b>US14152</b>	Product Code <b>FL450-SK-1228</b>
Date:	<b>Nov 2003</b>	Revisions: <b>0</b>

