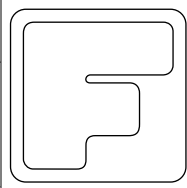
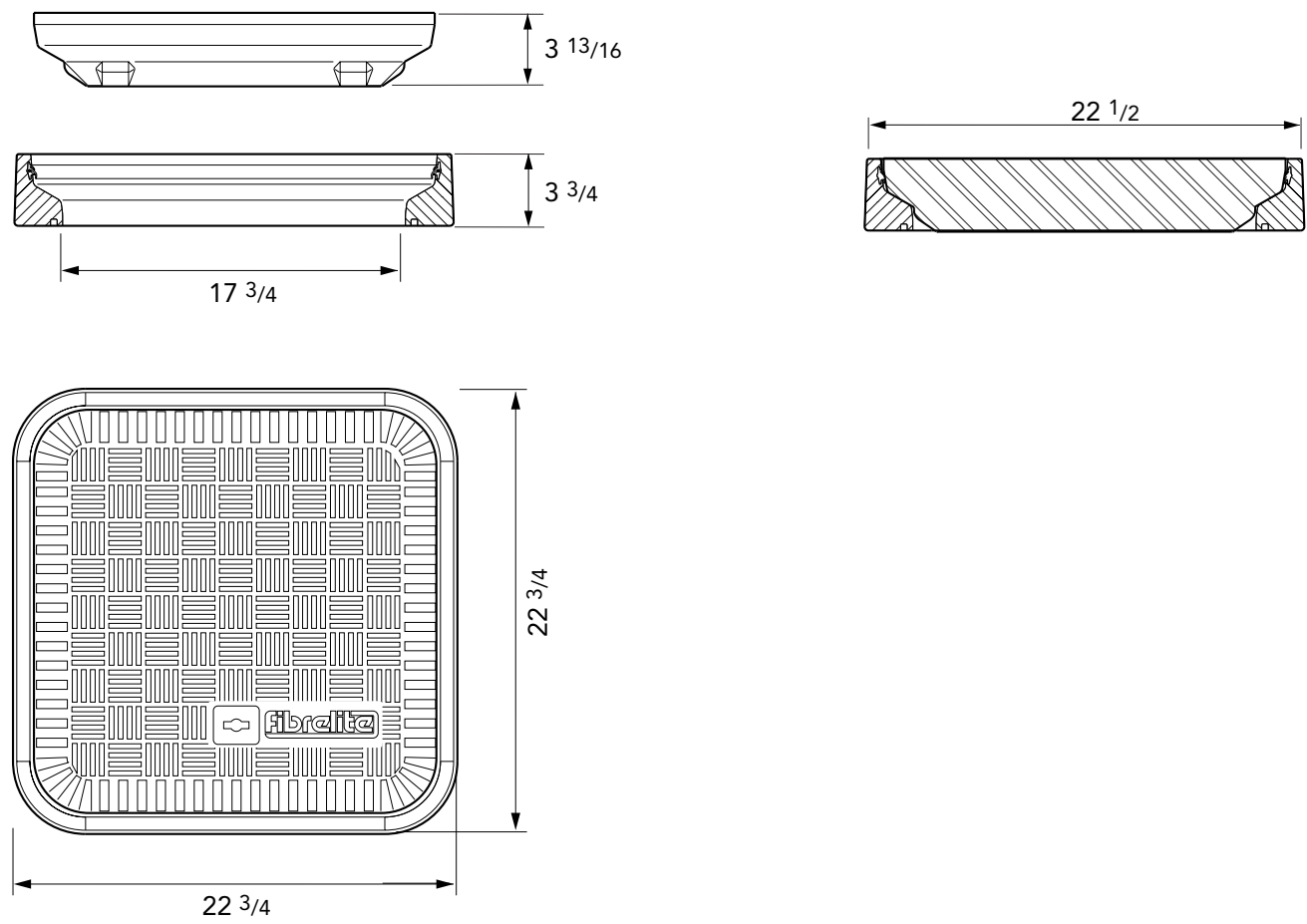


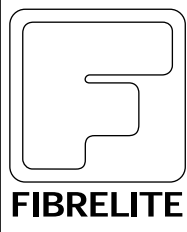
Notes:	Category: ACCESS COVER & FRAME - SEALED	
	Product Description: FL450 - 18" x 18" flat sealed composite cover with an aluminum frame.	
For reference purposes only. This drawing is not a specification.	Drawing No: US13450	Product Code FL450
	Date: Nov 2002	Revisions: 0



FIBRELITE



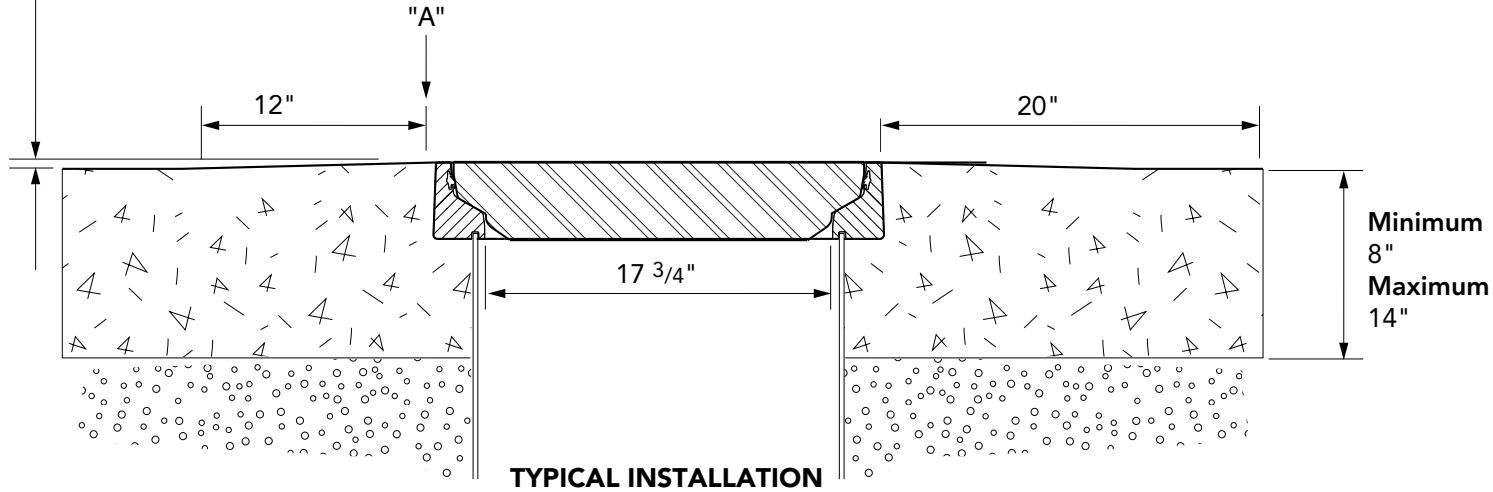
Notes:	Category: ACCESS COVER & FRAME - SEALED	
	Product Description: FL450 - 18" x 18" flat sealed composite cover with an aluminum frame.	
For reference purposes only. This drawing is not a specification.	Drawing No: US13451	Product Code: FL450
	Date: Nov 2002	Revisions: 0



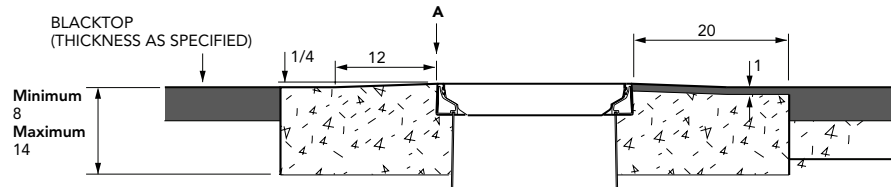
CONCRETE

VERY IMPORTANT

OUTER EDGE "A" OF FRAME SET 1/4" ABOVE GENERAL GRADE AREA WITH CONCRETE RAMPED AWAY OVER 12"



BLACKTOP



- BLACKTOP
- CONCRETE
- PEA GRAVEL
- SAND

<p>Notes:</p> <p>For reference purposes only. This drawing is not a specification.</p>	Category: ACCESS COVER & FRAME - SEALED	
	Product Description: FL450 - 18" x 18" flat sealed composite cover with an aluminum frame.	
	Drawing No: US13452	Product Code: FL450
	Date: Nov 2002	Revisions: 0

