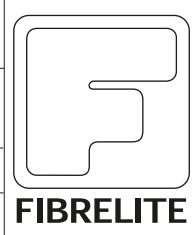
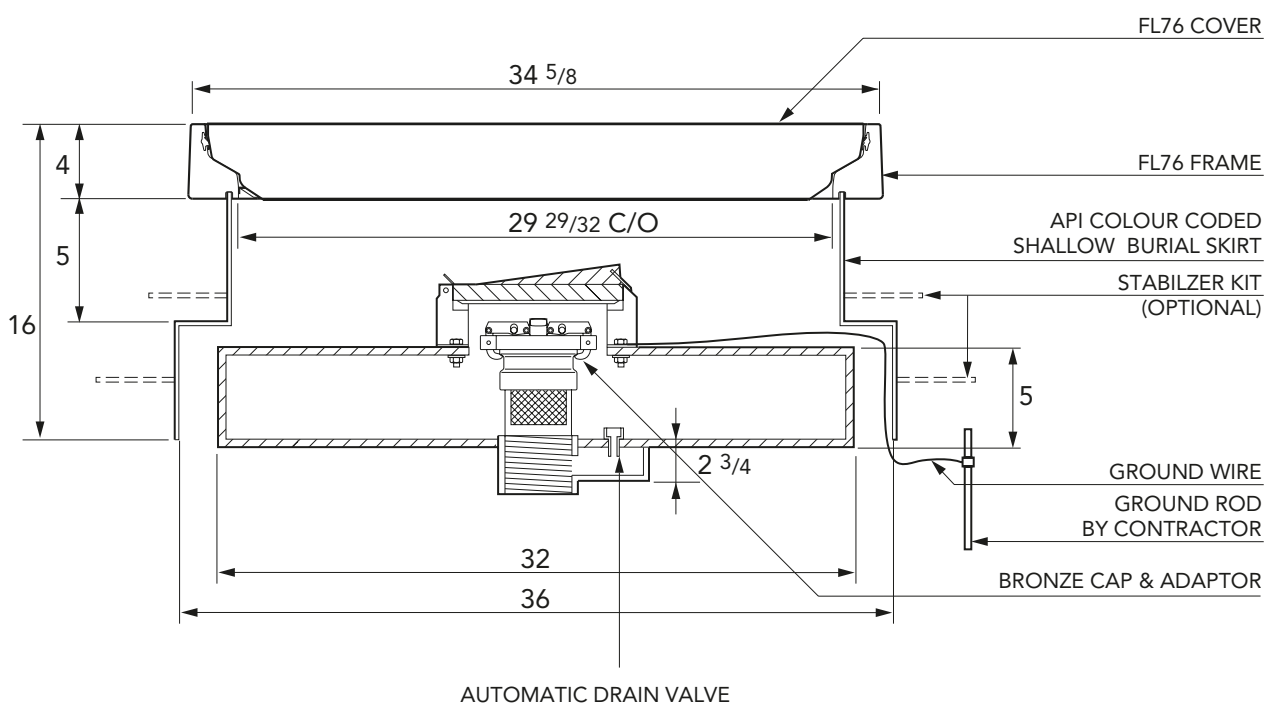
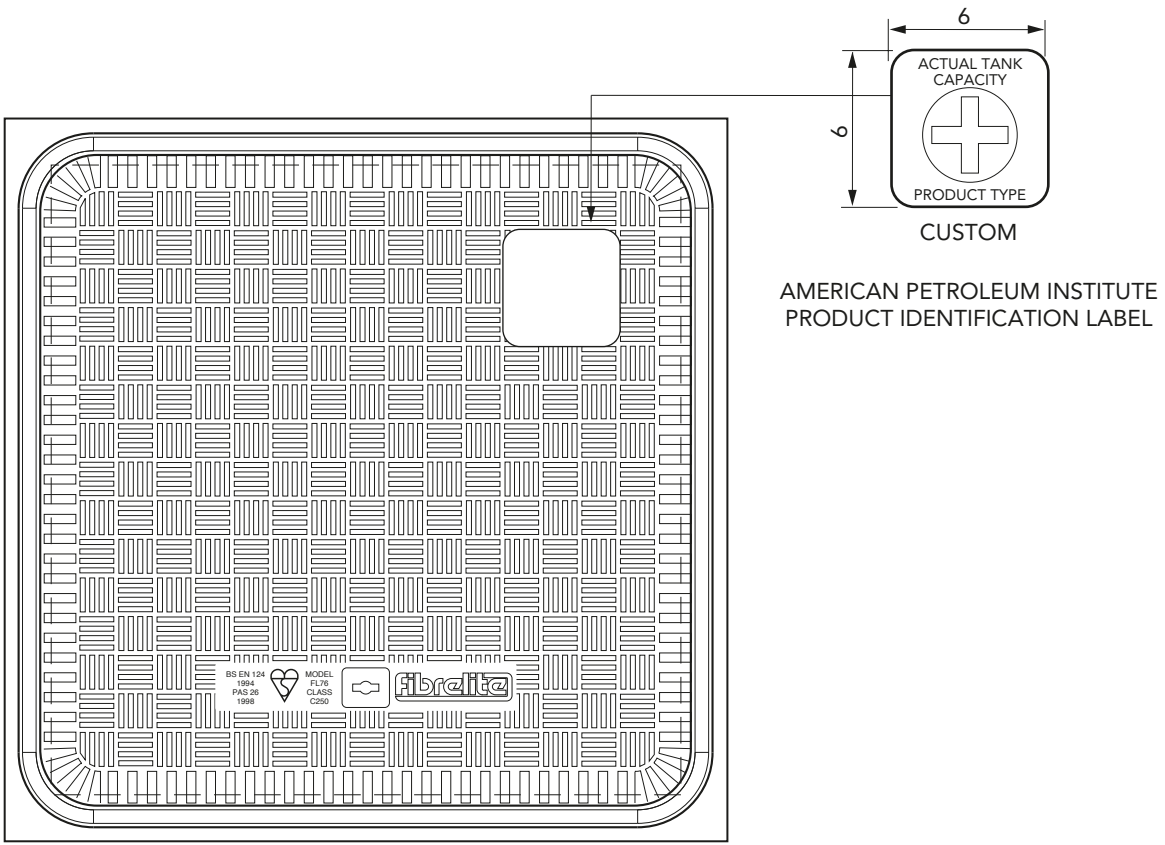


Notes:

For reference purposes only.
 This drawing is not a specification.

Category:	CHAMBER SYSTEMS	
Product Description:	<i>FL76 with skirt for extreme shallow burial containment.</i>	
Drawing No:	US14149	Product Code FL76-SK-1229
Date:	Nov 2003	Revisions: 0





Notes:

For reference purposes only.
 This drawing is not a specification.

Category:	CHAMBER SYSTEMS	
Product Description:	FL76 with skirt for extreme shallow burial containment.	
Drawing No:	US14150	Product Code FL76-SK-1229
Date:	Nov 2003	Revisions: 0

