

Magnetic Starter - 30A, 575V Coils

Wiring Guide

Red Jacket





Magnetic Starter Wiring Diagrams for 30 Amp, 575 Volt Coils

Introduction


This Magnetic Starter is a 3 phase, full voltage across the line starter with the coil factory wired for 575 volts (Figure A). Check with the local power company to see if their power source is adequate for your requirements. A wiring diagram is provided to show a typical wiring scheme.

Safety Precautions


The following safety symbols are used throughout this manual to alert you to important safety hazards and precautions.

| | |
|--|--|
|  <p>EXPLOSIVE Fuels and their vapors are extremely explosive if ignited.</p> |  <p>FLAMMABLE Fuels and their vapors are extremely flammable.</p> |
|  <p>ELECTRICITY High voltage exists in, and is supplied to, the device. A potential shock hazard exists.</p> |  <p>TURN POWER OFF Live power to a device creates a potential shock hazard. Turn Off power to the device and associated accessories when servicing the unit.</p> |

⚠ WARNING

| | |
|--|--|
|  | <p>This magnetic starter is to be installed in systems operating near locations where highly combustible fuels or vapors may be present.</p> <p>Fire or explosion resulting in serious injury or death could result if the equipment is improperly installed or modified. Serious contamination of the environment may also occur.</p> <p>Read and follow all instructions in this manual, including all safety warnings.</p> <p>Comply with all applicable codes including the National Electrical Code (NFPA70); the Automotive and Marine Service Station Code (NFPA30A); federal, state, and local codes; and other applicable safety codes.</p> |
|--|--|

⚠ WARNING

| | |
|---|---|
|  | <p>This magnetic starter contains high voltages which can be lethal. It is also connected to low power devices that must be kept intrinsically safe.</p> <p>Do not connect the Magnetic Starter AC power supply wires at the breaker until all devices are installed.</p> <p>Connecting power wires to a live circuit can cause electrical shock that may result in serious injury or death.</p> <p>These starters are designed to be used with copper wire - DO NOT USE ALUMINUM WIRE!</p> |
|---|---|

⚠ WARNING

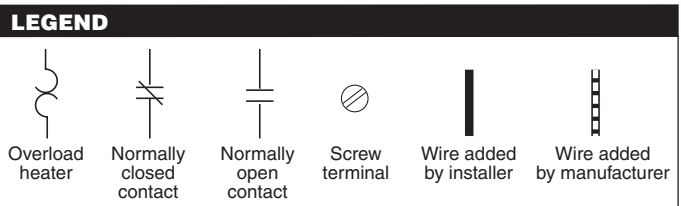
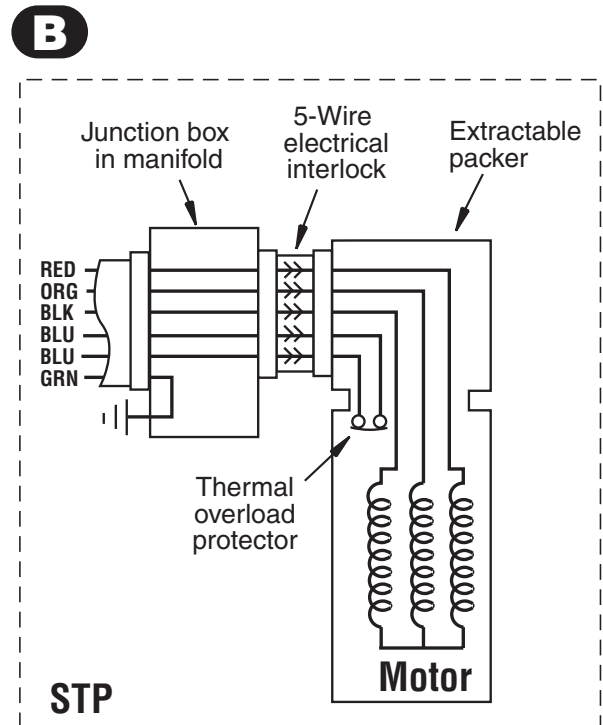
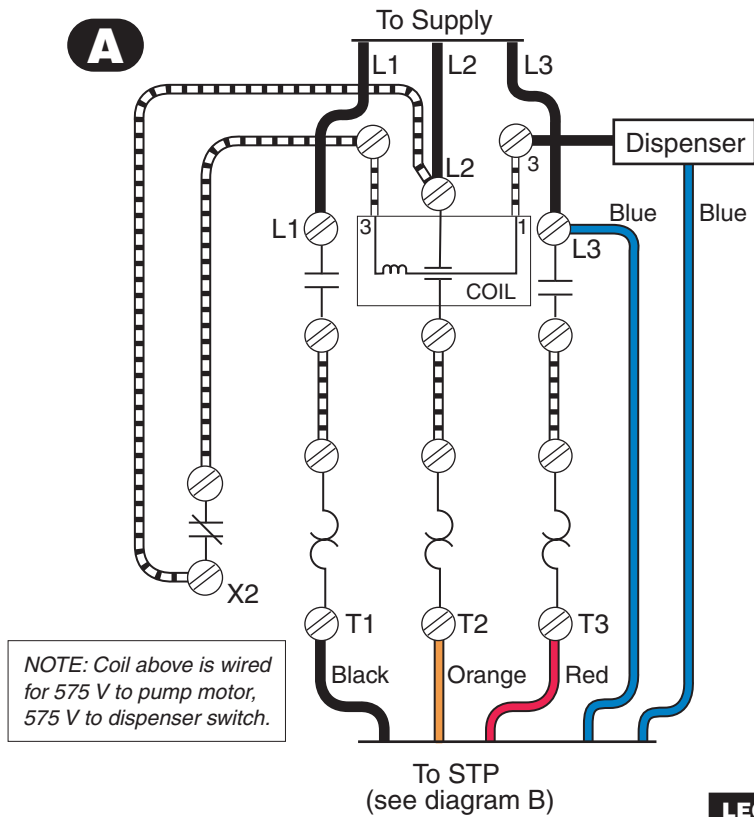
| | |
|---|--|
|  | <p>Explosive vapors or flammable liquids could be present near locations where fuels are stored or being dispensed.</p> <p>The Magnetic Starter is not explosion proof. Do not install this device in a volatile, combustible, or explosive atmosphere.</p> <p>An explosion or fire resulting in serious injury or death, property loss and equipment damage could occur if the Magnetic Starter is installed in a volatile, combustible, or explosive atmosphere (Class I, Division 1 or 2).</p> |
|---|--|

Troubleshooting the Installation



WARNING! Lockout and tag power before performing either of these two procedures.

1. If nuisance tripping occurs, check for proper heaters, loose connections, and severe arcing or pitting of contacts.
2. If the pump rotates backwards as evidenced by low pressure and flow, correct rotation by reversing any two of the three power wires to the pump.



rjpumps/ms575v1.eps